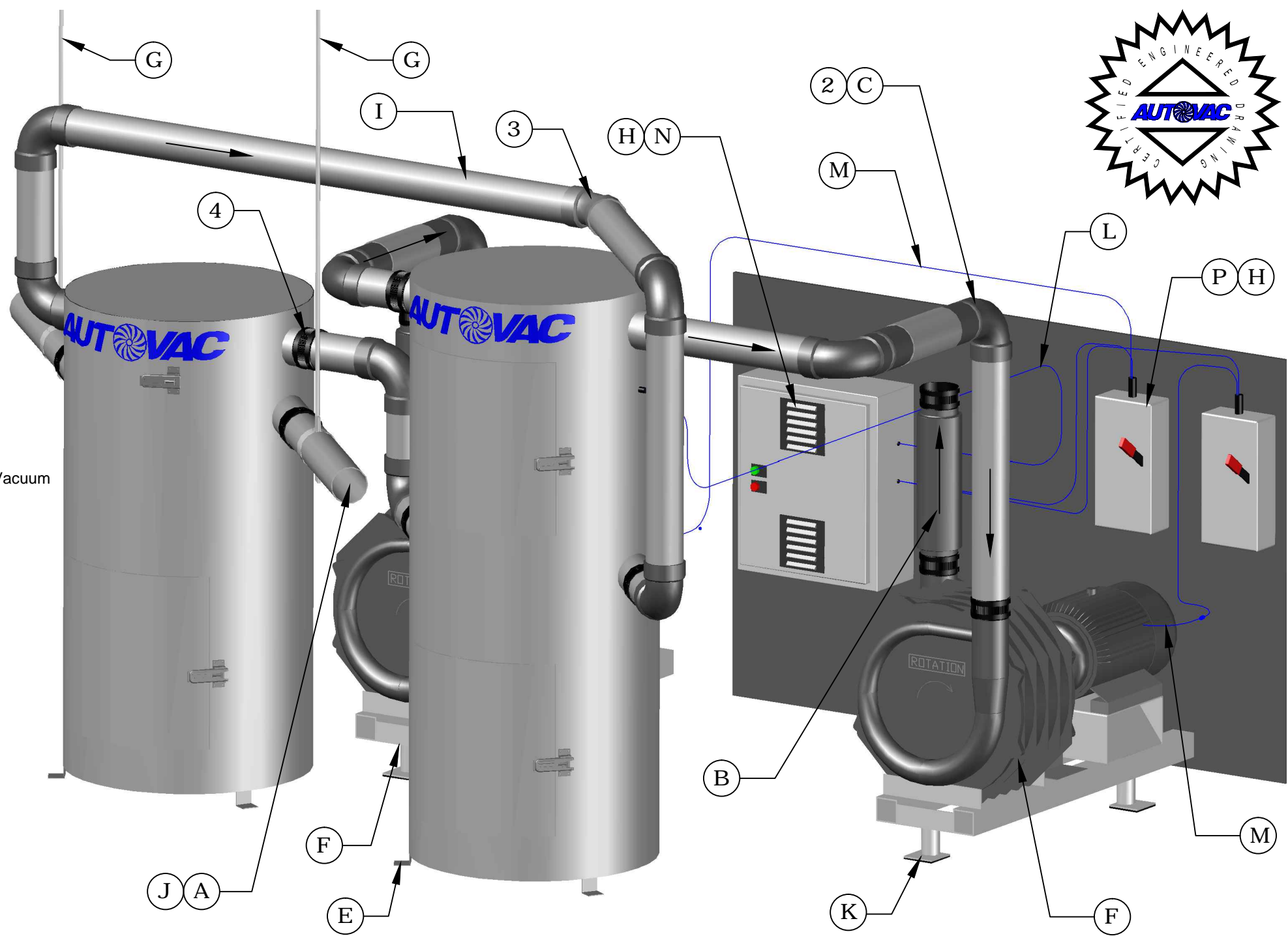


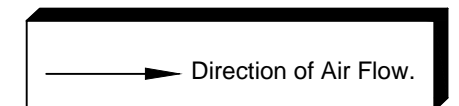
- (A) These lines carry dirt and debris from Vacuum Cleaning System, one or two lines are required.
- (B) 6" Vacuum Producer exhaust air. Pipe to atmosphere 20 ft. max. with metallic pipe no smaller than 4".
- (C) 6" Vacuum Producer inlet air and filter separator vacuum supply line.
- (D) Not used
- (E) Foot pad leg support, 3 locations typical.
- (F) Industrial duty 4 bearing, coupled vacuum producer.
- (G) Support pipe every 10 ft. minimum with an approved support hanger system. Never allow pipe to sag. Install hangers as needed. Sway brace as required.
- (H) Optional Equipment: Electrical connection required for disconnect switch, magnetic starter or Vacuum IQ to Vacuum Producer per local code. Installation location to vary.
- (I) Filter Separator Model # SF101Z.
- (J) 6" diameter pipe carries dirt from system. See pipe system drawings.
- (K) Foot pad leg support, 3 locations typical. Do not bolt down firm, leave lock nut on stud 1/2" above mounting plate.
- (L) Transducer cable from Separator to Vacuum IQ via conduit (supplied by others).
- (M) Motor control cable from Vacuum Producer to Vacuum IQ via conduit (supplied by others).
- (N) Vacuum I.Q (Optional)
- (P) Disconnect Switch



**EQUIPMENT HOOK-UP PARTS LIST**

NO.	DESCRIPTION	PART NO.	MFR.	QTY.
1	6" ABS PIPE	C521-0004	AUTOVAC	50'
2	6" ABS LONG SWEEP 90° ELBOW	C526-0204	AUTOVAC	12
3	6" ABS 45° ELBOW	C526-0004	AUTOVAC	2
4	6" NO-HUB	C591-0004	AUTOVAC	4
5	6" ABS FEMALE ADAPTER	C528-0004	AUTOVAC	4
6	6" ABS COUPLING	C527-0004	AUTOVAC	2

All pipe and fittings will be shipped ABS material DWV (drain, waste & vent) style fittings. All fittings will be long sweep directional flow. Partial reproduction of material inside borders is not authorized. copyright 2011, AVI Car Care, LLC



**AUTOVAC**  
Industrial  
Vacuum & Air Systems

APPROVED BY:	
DATE:	
DESCRIPTION:	
DRAWN BY:	
REVISION NUMBER:	

**6" DUAL VACUUM PRODUCER, FILTER SEPARATOR & PRIMARY SEPARATOR EQUIPMENT HOOK-UP KIT - ABS**

CHECKED BY: NFG, APPROVAL SHEET NO: XXX  
 DATE: 10/25/2012  
 SALES PERSON: ST  
 DATE: 10/25/2012  
 ST  
 1 OF 1

6" SINGLE VACUUM PRODUCER, FILTER SEPARATOR & PRIMARY SEPARATOR EQUIPMENT HOOK-UP KIT ABS PIPE

X211-6