

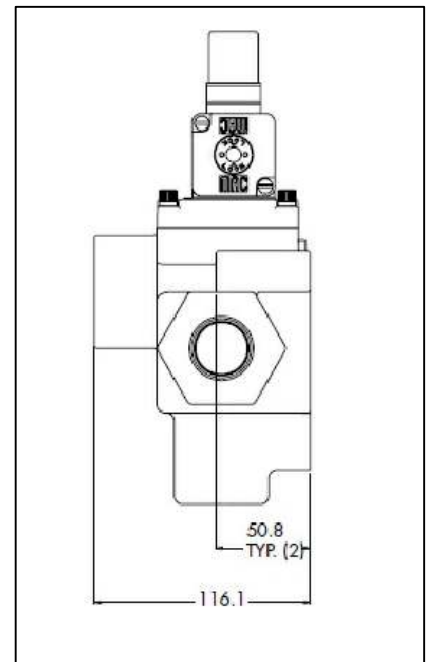
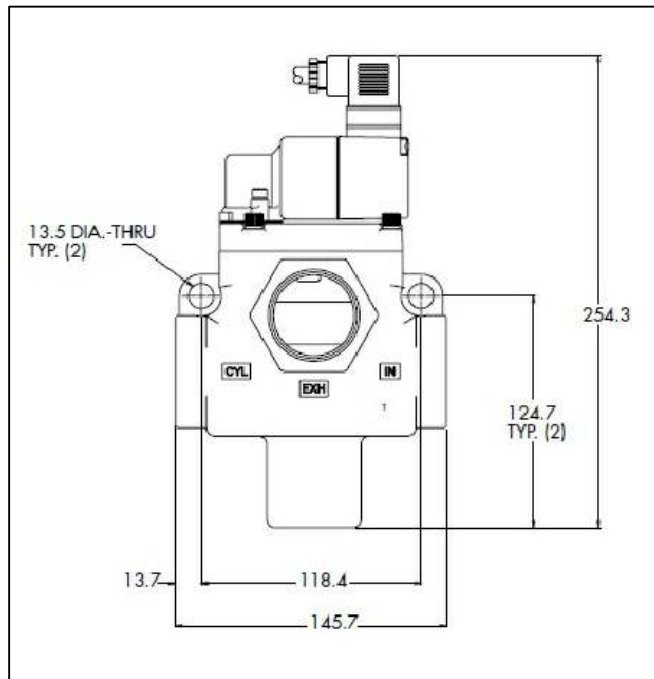
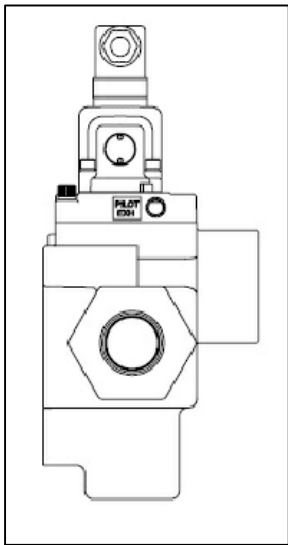
WWW.AUTOVACINC.COM - Toll Free number 1-888-628-8682

**MAC VALVE  
 SERIES 58**

For Approval       Certified For

Project: \_\_\_\_\_ By: \_\_\_\_\_

Your Order #: \_\_\_\_\_ Our Order #: \_\_\_\_\_





# PRODUCT DATA

FABRICATED

MLT  
CONNECTOR

WWW.AUTOVACINC.COM - Toll Free number 1-888-628-8682

## MICRO LOGIC TIMER SERIES 5800

For Approval

Certified For

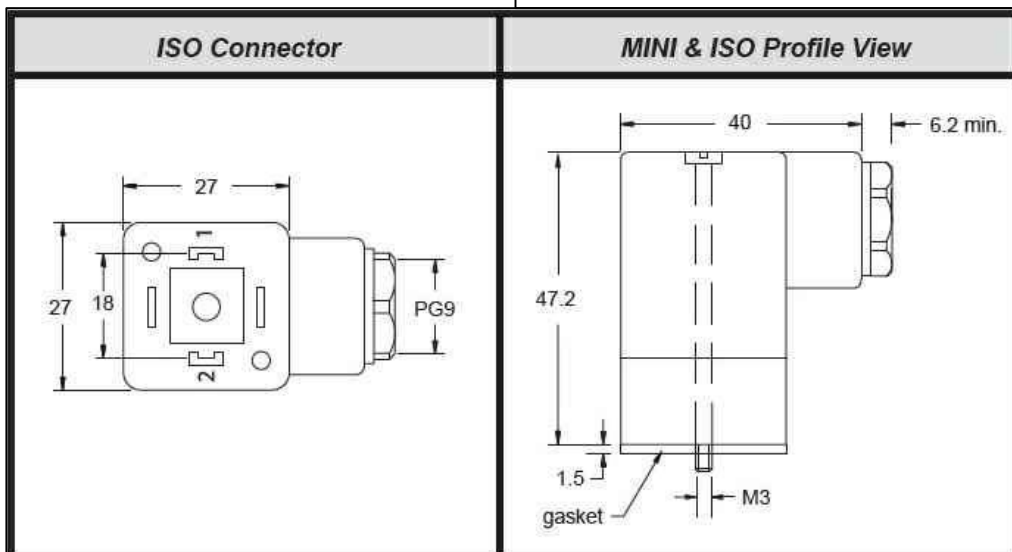
Job Name: \_\_\_\_\_

Customer: \_\_\_\_\_

Custom Color Code: \_\_\_\_\_

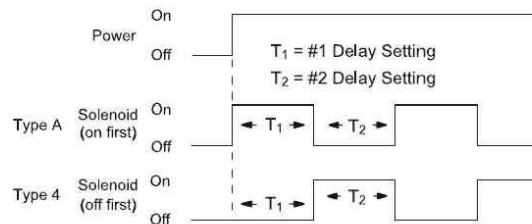
AVIQ#: \_\_\_\_\_

Approval Signature: \_\_\_\_\_

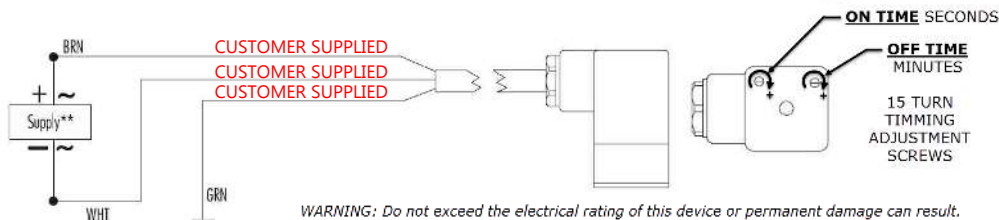


Cycle Timer

Timer Type 4 / Type A



Solenoid cycles  $\Delta T_1$  OFF and  $\Delta T_2$  ON when power is applied. Reset occurs when power is removed. Timer is available in normally on (Type A) or normally off (Type 4) versions.



- Input Voltage Range: 12-240 VDC  
24-240 VAC (50/60 Hz)
- Maximum timer current draw: 15 mA
- Maximum input voltage tolerance: +/-10%
- Maximum output current: 1 Amp
- Frequency: AC 50/60 Hz or DC

- Ambient temperature range: -20° to +60°C
- 15 turn time adjustment potentiometers for accuracy
- Wire gauge: 20 AWG standard
- Time ranges: 0.1 seconds to 33 minutes in standard versions, other times available upon request

## Pulse Jet Mac Valve Micro Logic Timer Adjustment:

Timing Adjustments: Turning the adjustment screw **clockwise increases the time** and **counter clockwise decreases the time**.

Begin by turning both timing adjustment screws counter-clockwise until they stop. This will insure you are starting at the minimum point. Add the number of turns clockwise to reach the approximate desired timing. Caution: Do not rotate the screws past the stop point as this may damage the timer.

The **OFF TIME** (Minutes), Adjustment Screw: is for the **OFF TIME** of 1 to 45 minutes. This is the duration between the air pressure pulse (pulse air is off), no cleaning during this time. There are 15 full turns on the adjustment screw; each full turn equals approximately 3 minutes.

Note: The **OFF TIME** allows for the Pulse Storage Tank to fully pressurize between pulses. The **OFF TIME** should be set for a duration long enough to allow the vacuumed particles on the cartridge or filter bag to begin to cake slightly to facilitate efficient pulse cleaning of your filters.

The **ON TIME** (Seconds), Adjustment Screw: is for the **ON TIME** of 0.25 to 25 seconds. The **ON TIME** duration of the air pressure pulse into the center of the Filter Cartridges blowing the dust off of the Filters. There are 15 full turns on the adjustment screw; each full turn equals approximately 1.7 Seconds.

Note: The **ON TIME** allows a short air burst inside the filter to dislodge trapped particles. The **ON TIME** should be set to allow sufficient time for the dislodge particles to be removed from the maximum filter surface area possible.

Proper adjustment of the Micro Logic Timer will keep the filtration system working more efficiently and allow longer periods between cleaning and maintenance.

60 to 90 PSI is recommended for incoming air pressure connection to the Pulse Jet Filter System.

### SUGGESTED GUIDE FOR INITIAL AIR PULSE SETTINGS AND CONDITIONS

Note: Additional adjustments may be needed for the best filter cleaning results.

- 1) Light Usage, Vacuum running time 2 to 3 hours a day with 25% of the vacuum drops in use:  
**OFF TIME** (Minutes): 20 to 23 minutes      **ON TIME** (Seconds): 5 to 7 Seconds
- 2) Medium Usage, Vacuum running time 4 to 6 hours a day with 50% of the vacuum drops in use:  
**OFF TIME** (Minutes): 15 to 18 minutes      **ON TIME** (Seconds): 7 to 9 Seconds
- 3) Heavy Usage, Vacuum running time 8 to 10 hours a day with 75% of the vacuum drops in use:  
**OFF TIME** (Minutes): 10 to 13 minutes      **ON TIME** (Seconds): 9 to 10 Seconds
- 4) Maximum Usage, Vacuum running time 8 to 10 hours a day with 100% of the vacuum drops in use:  
**OFF TIME** (Minutes): 5 to 7 minutes      **ON TIME** (Seconds): 10 to 11 Seconds