

UL TERMINAL TORQUES		
HMCP CIRCUIT BREAKERS		
RATING	WIRE SIZE	TORQUE
15A	14-10 AWG	35 LB-IN
30A	8 AWG	40 LB-IN
50A	6-4 AWG	45 LB-IN
100A 150A	3-4/0 AWG	50 LB-IN
250A 400A 600A	4-250 MCM	275 LB-IN
FUSED DISCONNECTS		
RATING	TORQUE	
30A	17 LB-IN	
60A	17 LB-IN	
100A	180 LB-IN	
200A	375 LB-IN	
400A	500 LB-IN	
NON-FUSED DISCONNECTS		
RATING	TORQUE	
60A	18 LB-IN	
100A	55 LB-IN	
200A	375 LB-IN	
400A	500 LB-IN	
WIRE TERMINALS		
TYPE	TORQUE	
SAK4	9 LB-IN	
SAK6	14 LB-IN	
SAK10	18 LB-IN	
SAK16	21 LB-IN	
SAK35	44 LB-IN	
POWER DISTRIBUTION BLOCKS		
WIRE SIZE	TORQUE	
2/0-3 AWG	120 LB-IN	
350-500 MCM	375 LB-IN	

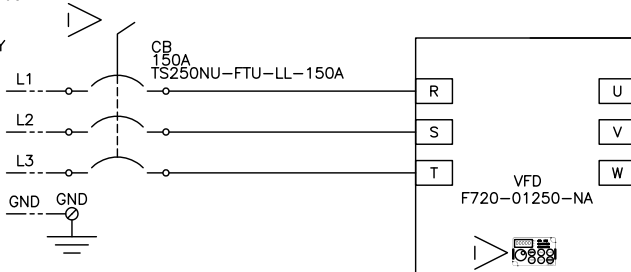
ENCLOSURE	NEMA 1	TYPE	VENTED	COOLING	NONE	BUS BAR WIDTH	36	HEIGHT	24	DEPTH	8
PART NUMBER											
0	27-APR-16	ORIGINAL DRAWING ISSUE - WEIGHT: LBS.									
REV.	DATE	DESCRIPTION									



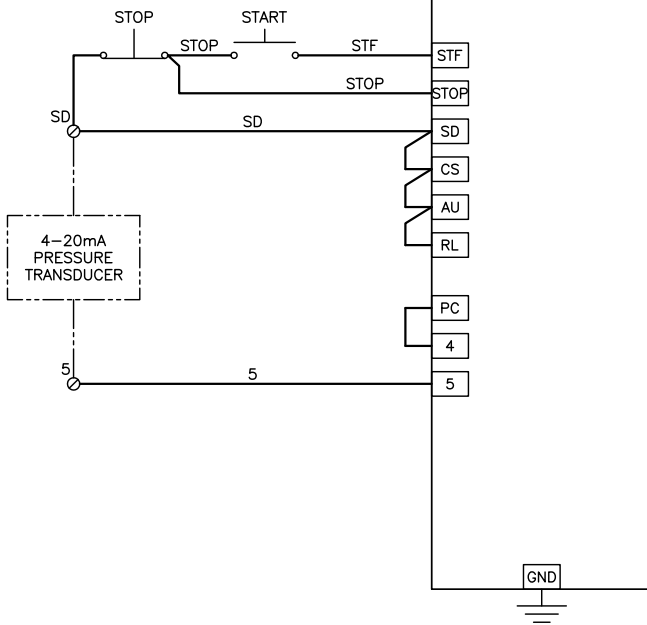
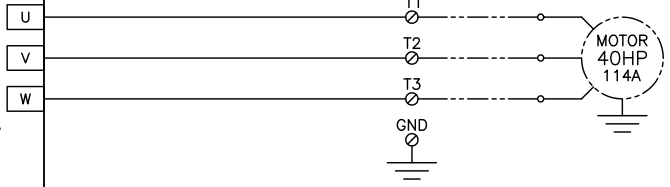
PLANT			
TITLE	40HP 208VAC VFD PACKAGE		
SUBTITLE	ENCLOSURE LAYOUT		
SCALE	1/8	DRAWN	MT
DATE	27-APR-16	CHECKED	B03806000
			0

208/3/60

TOP ENTRY



BOTTOM ENTRY



- MRS DRIVE CONNECTION TERMINAL
- 888 DEVICE CONNECTION TERMINAL
- 888 TERMINAL NOT FOR CUSTOMER CONNECTION
- 888 TERMINAL FOR CUSTOMER CONNECTION
- D LOCATED ON ENCLOSURE DOOR
- I LOCATED INSIDE ENCLOSURE
- R LOCATED REMOTE FROM ENCLOSURE
- C LOCATED IN RESISTOR CAGE
- ARROW SUPPLIED ENCLOSURE WIRING
- DASHED LINE CUSTOMER SUPPLIED ENCLOSURE WIRING
- DOTTED LINE ARROW SUPPLIED FIELD WIRING
- DASHED LINE CUSTOMER SUPPLIED FIELD WIRING
- OUTPUT DESCRIPTION: SUPPLIED PLC OUTPUT
- INPUT DESCRIPTION: SUPPLIED PLC INPUT
- OUTPUT DESCRIPTION: CUSTOMER PLC OUTPUT
- INPUT DESCRIPTION: CUSTOMER PLC INPUT

ENCLOSURE	NEMA1	TYPE	VENTED	COOLING	NONE	BUS BAR RATING	36	HEIGHT	24	WIDTH	8
PART NUMBER											
0	27-APR-16	ORIGINAL DRAWING ISSUE									
REV.	DATE	DESCRIPTION									



PLANT			
TITLE 40HP 208V IQ MOTOR CONTROL			
SUBTITLE WIRING DIAGRAM			
SCALE NONE	DRAWN MT	DRAWING NUMBER	
DATE 27-APR-16	CHECKED -	B03806001	
			REV 0