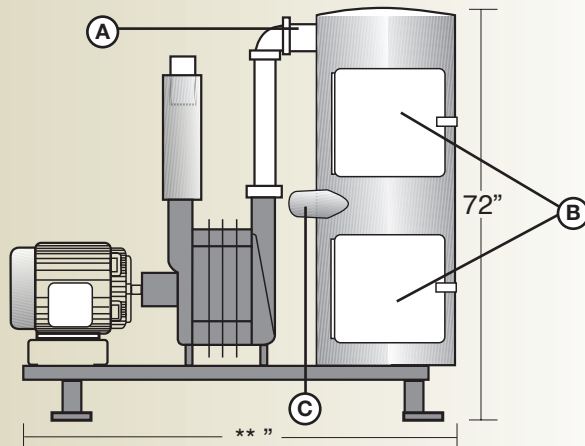
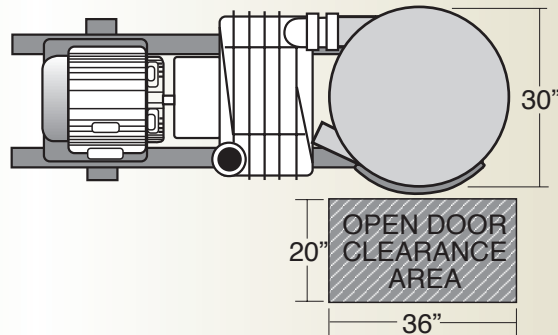


Rail-Vac

Compact Industrial Vacuum



**3 stage- 55" long
 4 stage- 58" long
 5 stage- 61" long
 6 stage- 64" long



- A. One 4" tangential inlet pipe for connection to vacuum producer.
- B. Large steel access doors with one-piece hinge and adjustable draw tight latch assembly.
- C. Connect incoming air with dirt and debris from vacuum system here.

RAIL-VAC, TURBINE AND ELECTRICAL DATA

RAIL-VAC MODEL #	3 Phase TEFC Enclosed Motor Data	CFM	Line Volt AC	Hg	HP	Aprox. Vac Hose Users	Stage	Complete Unit Weight
C130-0101	10HP 60HZ 3600 RPM	475	208 230 460	4.2"	10	2 - 6	3	800#
C130-0105	10HP 60HZ 3600 RPM	400	208 230 460	5.5"	10	2 - 6	4	850#
C130-0109	10HP 60HZ 3600 RPM	350	208 230 460	6.0"	10	2 - 6	5	900#
C130-0113	10HP 60HZ 3600 RPM	300	208 230 460	6.5"	10	2 - 6	6	950#

RAIL-VAC SEPARATOR DATA

SEPARATOR MODEL#	Type	Filter Bag Area	Filter Bags	Bag Dia.	Bag Length	Dirt Bucket	Material	Wt. Lbs.
C314-3001 For use with 10HP-15HP models	Filter Bag	60 sq. ft.	10	6"	22"	17 gal.	12 ga Steel	275