

VACUUMS

AUTOVAC

Industrial
Vacuum & Air Systems

600 Series 4 Bearing



At the heart of every AutoVac central cleaning system is our powerful **Centrifugal Vacuum Producer**. The 600 Series turbine is a multistage exhauster available in 25 and 40 hp depending on your needs. It's engineered for years of reliable performance

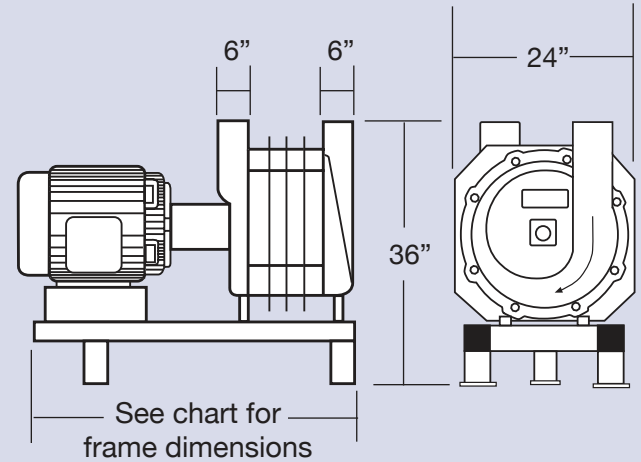
with very little maintenance. We manufacture our 600 Series in-house in accordance with strict production standards. Combine the 600 Series with an AutoVac separator, engineered piping, and customized electronic motor controls for the most reliable vacuum system available.

888-628-8682

email: sales@autovacinc.com • www.autovacinc.com

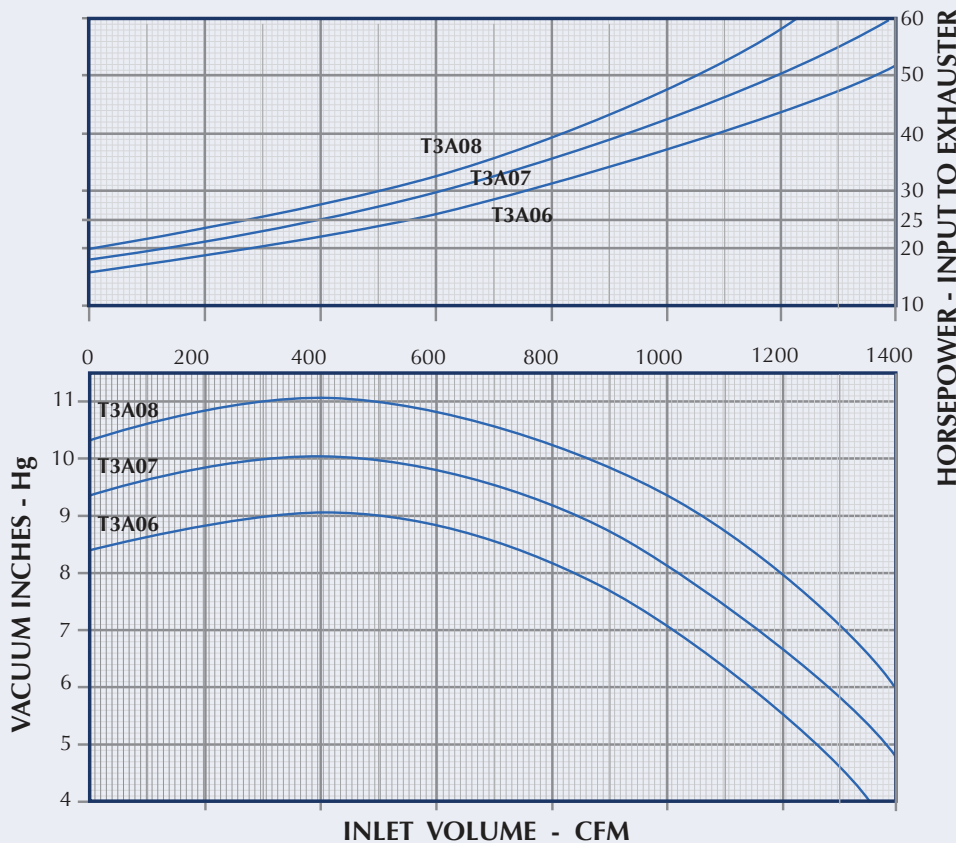
600 Series, 6" Standard Vacuum Producer 4 Bearing with Pedestal Mounted Motor

Standard 3 Phase	Model: Standard Performance, 3600 RPM*				
Total Simultaneous Users 15'x1/2" Dia. Vac Hose	HP	Frame Dimensions	Weight lbs.	Decibels at 10ft.	Part #
8-10 Users	25HP 3600 RPM	60"	950	72	216-1001
10-12 Users	30HP 3600 RPM	60"	1000	74	216-2001
12-14 Users	40HP 3600 RPM	66"	1450	76	216-3001



* Please consult your AutoVac sales professional for 50 Hz, 575 volt, and high altitude applications above 3000'. Explosion proof motors available.

PERFORMANCE INLET CURVES CENTRIFUGAL EXHAUSTER



Reflects atmospheric conditions of a "normal day" of 29.92 Hg, 68o F, sea level.

Features

- Turbine blower casing is housed between two 1/2" thick 356 alloy aluminum head castings for strength, durability and heat dissipation.
- Impellers are 6061-T6 aircraft grade aluminum and dynamically balanced to ensure operation below 1.5 mils at 3,600 RPMs.
- Directional-controlled inlet and outlet air openings accelerate airflow and improve performance.
- Two-bolt outboard flange bearings are self-aligning.
- Extremely durable cast iron TEFC drive motor is aligned at the factory for vibration-free operation.
- SureFit split drive couplings from motor to turbine drive shaft are constructed of durable polyurethane.
- Motors and couplings can be serviced without removing the turbine blower section.
- Sturdy iron rail frame with three point leg design and isolator pads prevent turbine from rocking on uneven mounting surfaces.