

VACUUMS

# AUTOVAC

Industrial  
Vacuum & Air Systems

## 400 Series 4 Bearing



At the heart of every AutoVac central cleaning system is our powerful **Centrifugal Vacuum Producer**. The 400 Series turbine is a multistage exhauster available from 7.5 to 25 hp depending on your needs. It's engineered for years of reliable performance with

very little maintenance. We manufacture our 400 Series in-house in accordance with strict production standards. Combine the 400 Series with an AutoVac separator, engineered piping, and customized electronic motor controls for the most reliable vacuum system available.

888-628-8682

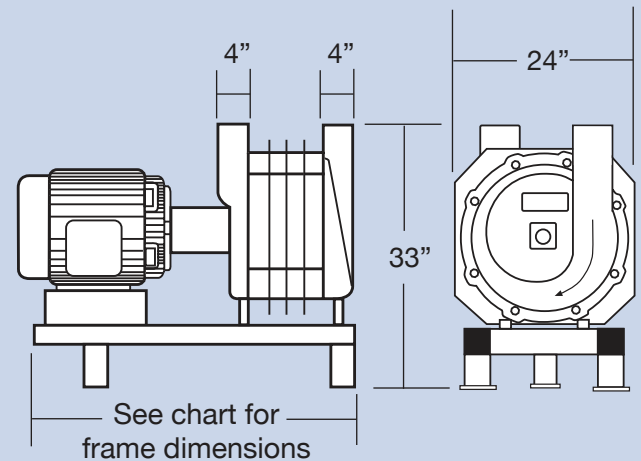
email: [sales@auto-vac.com](mailto:sales@auto-vac.com)



[www.auto-vac.com](http://www.auto-vac.com)

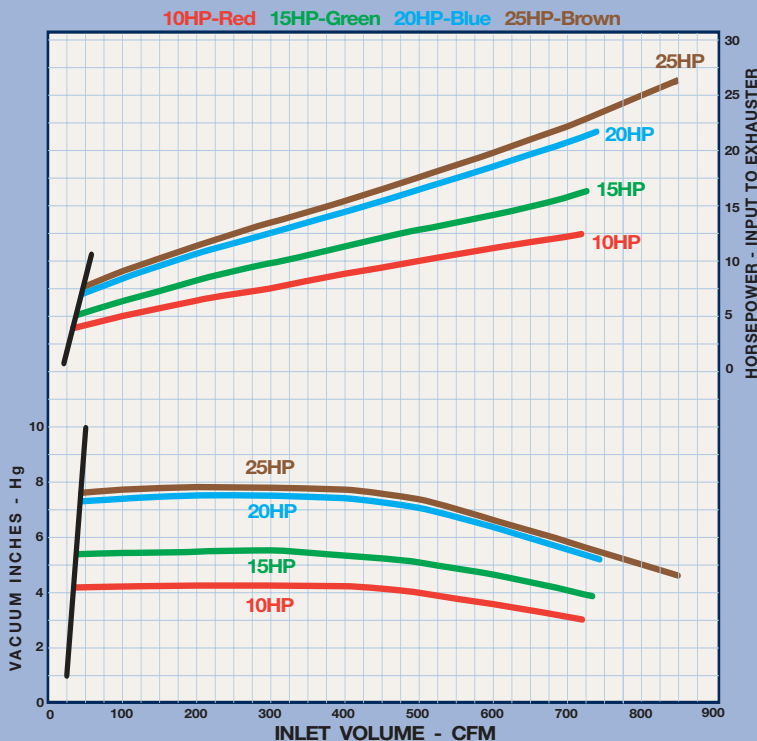
# 400 Series, 4" Standard Vacuum Producer 4 Bearing with Pedestal Mounted Motor

Standard 3 Phase	Model: Standard Performance, 3600 RPM*				
Total Simultaneous Users 15"x1 1/2" Dia. Vac Hose	HP	Frame Dimensions	Weight lbs.	Decibels at 10ft.	Part #
1-2 Users	7.5HP 3600 RPM	38"	475	68	214-0722
3-4 Users	10HP 3600 RPM	38"	550	70	214-1032
4-5 Users	15HP 3600 RPM	48"	675	71	214-1542
5-6 Users	20HP 3600 RPM	48"	750	72	214-2052
6-7 Users	25HP 3600 RPM	54"	900	74	214-2562



\* Please consult your AutoVac sales professional for 50 Hz, 575 volt, and high altitude applications above 3000'. Explosion proof motors available.

## PERFORMANCE INLET CURVES CENTRIFUGAL EXHAUSTER



## Features

- Turbine blower casing is housed between two 1/2" thick 356 alloy aluminum head castings for strength, durability and heat dissipation.
- Impellers are dynamically balanced to ensure operation below 1.5 mils at 3,600 RPMs.
- Directional-controlled inlet and outlet air openings accelerate airflow and improve performance.
- Two-bolt outboard flange bearings are self-aligning.
- Extremely durable cast iron, TEFC drive motor is aligned at the factory for vibration-free operation.
- SureFit split drive couplings from motor to turbine drive shaft are constructed of durable polyurethane.
- Motors and couplings can be serviced without removing the turbine blower section.
- Sturdy iron rail frame with three point leg design and isolator pads prevent turbine from rocking on uneven mounting surfaces.